

Quality Assurance

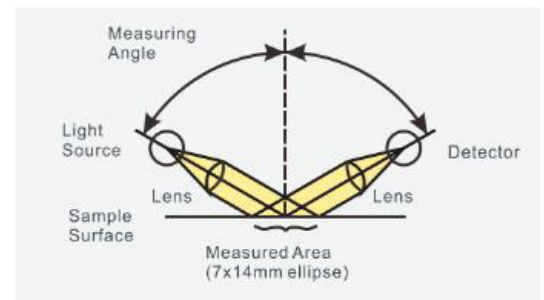
Product Name: GLOSS METER
Product Code: QC20 series

Gloss Meter is used to measure specular reflection gloss of a surface. Applies to ink, paint, decoration materials, wood, marble, granite, polishing brick, tile measurement, paper and other non-metallic materials surface gloss test.



Gloss Meter has different kinds of measurement angles.

- 20° applies to High Gloss Materials
- 60° degrees applies to Medium Gloss Materials
- 85° applies to Low Gloss Materials
- 45° applies to Ceramics, Films, Textiles & Anodized Aluminum
- 75° applies to Paper and Printed Materials



Product Variants

Product Code	QC20-0106B	QC20-0104B	QC20-0107B	QC20-1268B
Measuring Angle	60°	45°	75°	20° / 60° / 85°
Measuring Range	0.1~200 GU			
Stability	± 0.4 GU/30 Min			
Data Memory	254 Groups			
Accuracy	± 1.0 (against Reference Standard)			
Resolution	0.1 GU			
Repeatability	± 0.5 GU			
Measuring Area	7 mm x 14 mm Ellipse			
Operation Temperature	0~40°C (32~104°F)			
Operation Humidity	< 85 %			
Power Supply	Lithium Battery / 2 x 1.5 V AAA Um-4 Battery			
Size	140 mm x 45 mm x 75 mm (5.5" x 1.8" x 3.0")			
Weight (Including Battery)	305 g (10.76 oz)			

Features

- Backlight Display
- Buzzer Sound Reminder
- Low Battery Indicator
- Readings Memory, Readings Review
- Computer Connection
- Accurate measurement, automatic calibration, small in size, easy to use
- QC20-0200 can display the gloss of 20°, 60°, 85° at the same time

Standard Accessories

- Main Unit
- Calibration Box
- Optic Cleaning Cloth
- Power Adapter
- Carrying Case
- Operational Manual

Optional Accessories

Data can be transmitted through:

- USB Cable
- Bluetooth 10 m / 100 m Adapter



Disclaimer: All information presented herein is believed to be accurate and reliable. It is the sole responsibility for user's consideration, investigation and verification. Information is not to be taken as an express or implied representation or warranty for which TOOLS4FRP Private Limited assumes legal responsibility. It shall be the sole responsibility of user to determine suitability of mentioned information as per user's specific application.